



徐州金马回转支承有限公司  
Xuzhou jinma Slewing Bearing Co.,L

Tel: +86-0516-83506919  
+86-0516-83502729

Mai: ty@xzjinma.com

Int: www.xzjinma.com

Add: 江苏省徐州市铜山高新区天津路134号

Xuzhou City, Jiangsu Province, Tongshan High-tech Zone,  
Tianjin Road 134

徐州金马回转支承有限公司

Xuzhou jinma Slewing Bearing Co.,L

钻石

品质

跨越传承

DIAMOND QUALITY  
SPANNING INHERITANCE

# CONTENT

目录

公司简介 Company Profile	01
应用领域 Application field	02
编码说明 Coding description	03
装置结构示意图 Structure diagram of the device	04
名词解释 Noun interpretation	05
SE 系列产品 Series of products	06
WE 系列产品 Series of products	25
SE-2 系列产品 Series of products	39



## 一 公司简介

Company profile



徐州金马回转支承有限公司，是国内第一家自主研发双包络回转式减速器的优质服务商，为客户量身定制方案。现已获得十几项国家发明专利。公司已通过ISO9001:2008质量管理体系认证，采用了TS16949质量管理体系、ERP(企业资源管理系统)、MES(制造管理系统)来优化公司质量及生产管理。并且按计划引进了多种实验设备及质量检测设备和加工设备，其中包括马扎克卧式加工中心、哈挺车床、三坐标检测仪、高低温UV试验机、淋雨试验机等。为产品研发、生产提供了可靠的质量保证。

回转式减速器广泛应用于单轴、斜单轴、双轴光伏跟踪系统，塔式、槽式、斯特林、线性菲涅尔光热跟踪发电系统、光电及船舶吊机、起重机、抓木机、煤矿设备、高空作业车、自动化旋转平台等工程机械领域。目前与国内外多家知名企业合作，优良的品质和信誉促使着产品远销世界。

Jinma is the first domestic independent research and development of double envelope rotary reducer quality service provider, tailor-made for customers. More than a dozen national invention patents have been obtained. The company has passed ISO9001: 2008 quality management system certification, using TS16949 quality management system, ERP ( enterprise resource management system ), MES ( manufacturing management system ) to optimize the company quality and production management. And according to the plan introduced a variety of experimental equipment and quality detection equipment and processing equipment, including ma horizontal processing center, HARDINGE lathe, three coordinate detector, high temperature UV testing machine, rain testing machine, and so on. It provides a reliable quality assurance for product r & d and production.

Rotary reducer is widely used in single shaft, single - axis, double - axis photovoltaic tracking system, tower, trough, sterling, linear fresnel photothermal tracking generation system, photoelectric and ship crane, crane, timber grab, coal mine equipment, high-altitude working vehicles, automatic rotation platform and other engineering machinery field. At present, with many famous enterprises at home and abroad, the excellent quality and reputation promote the products exported to the world.

## 二 应用领域

Application field



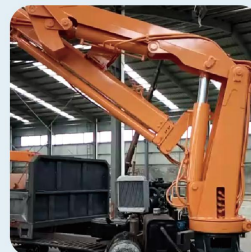
Mounted Truck Crane  
随车吊



Aerial Platform  
高空作业车



Timber Grab  
抓木机

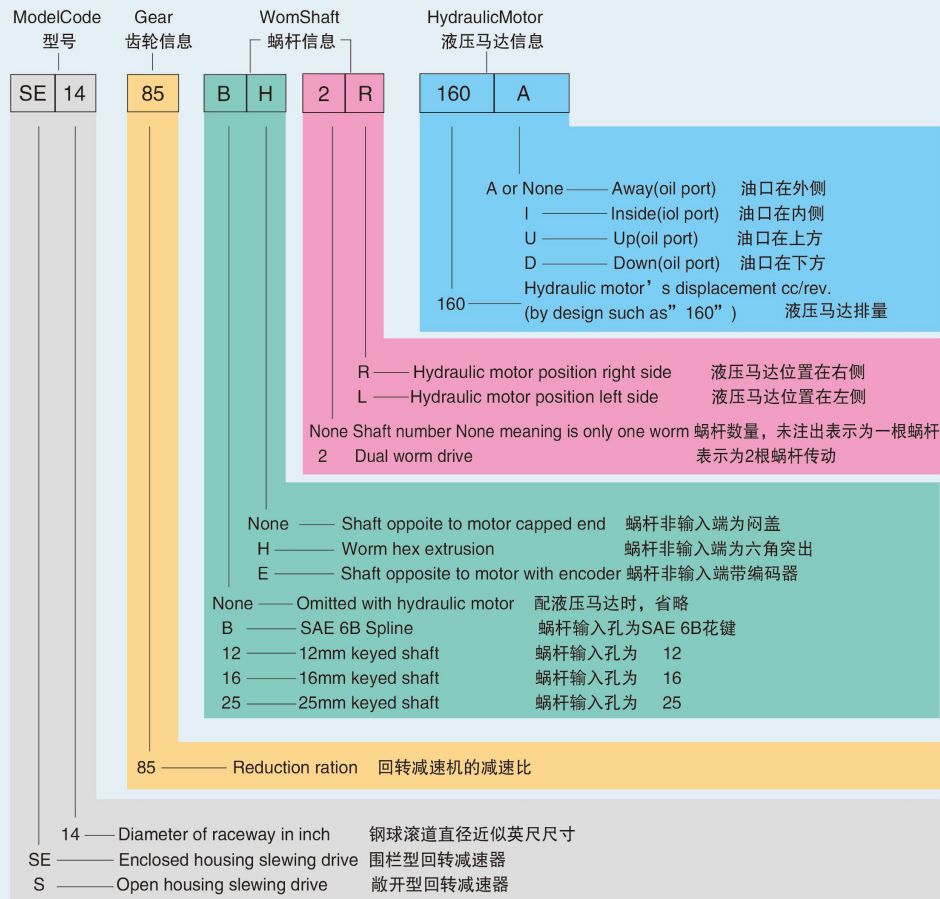


Marine Crane  
船舶吊



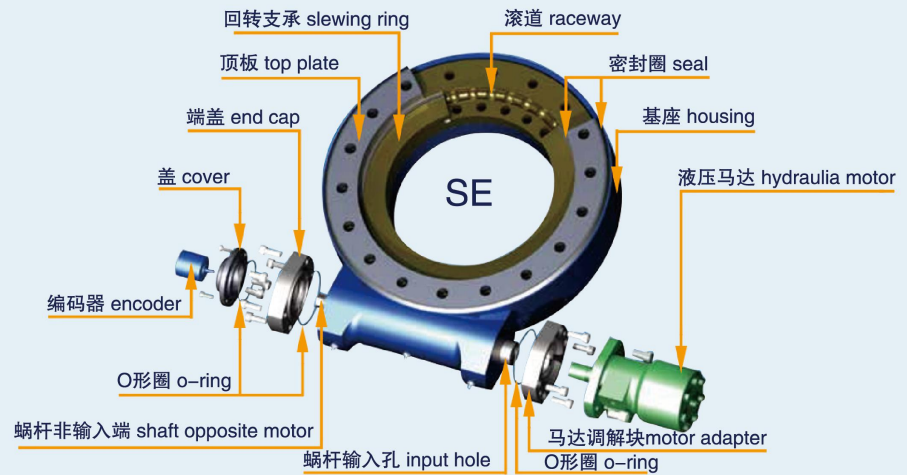
### 三 编码说明

Coding description

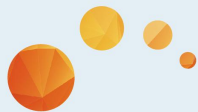


### 四 装置结构示意图

Structure diagram of the device

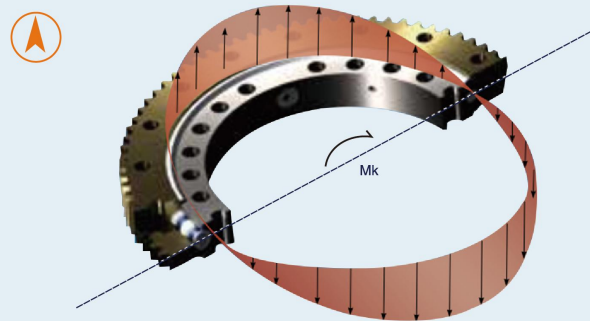






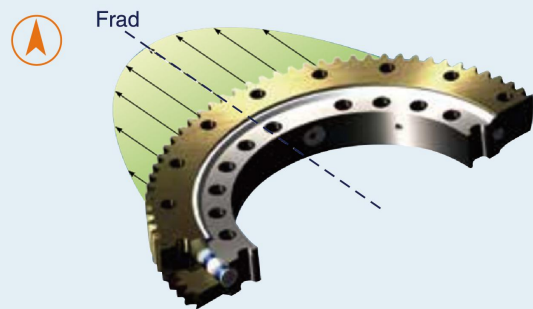
**倾覆力矩：**载荷产生的力矩大小等于载荷大小承载荷作用点到回转支承中心的距离。当载荷产生的力矩大于装置的倾覆力矩时，会产生倾覆失稳。

Overturning moment: The magnitude of the moment produced by the load is equal to the magnitude of the load, the distance from the point of action of the load to the center of the slewing bearing. When the moment of load is greater than the overturning moment of the device, it will cause overturning instability.



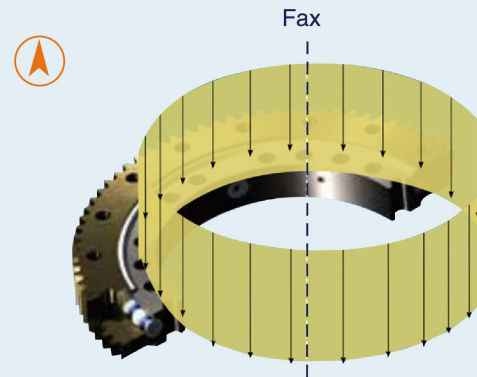
**径向载荷：**作用方向垂直于回转支承轴心线的载荷。

Radial load: the load perpendicular to the axis of the slewing bearing.



**轴向载荷：**作用方向平行于回转支承轴心线的载荷。

Axial load: the load acting parallel to the axis of slewing bearing.



**保持力矩：**即反向力矩，装置反向旋转，且各个零部件均无损害时的最大反向力矩。

Retaining torque: the maximum reverse torque when the device rotates backward and each component is harmless.

**自锁：**仅在驱动力或驱动力矩作用下，由于摩擦使机构不能产生运动的现象。

Self-locking: The phenomenon that a mechanism can not move due to friction only under the action of driving force or driving torque.

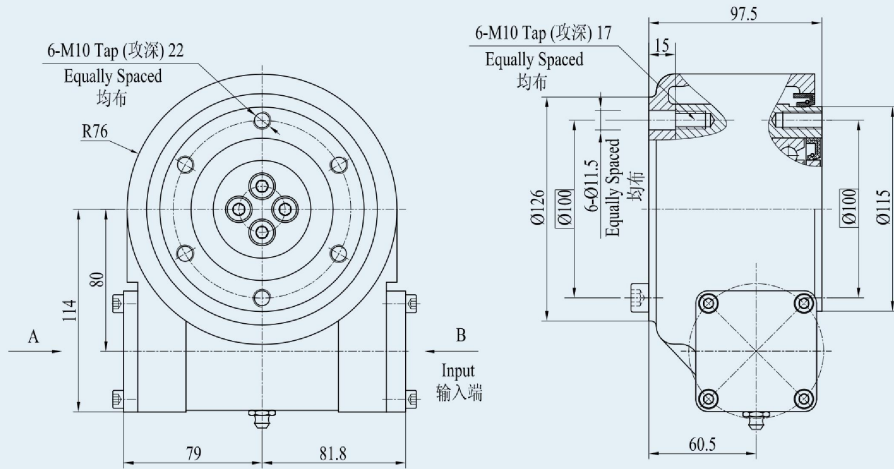


# SE系列产品

SE Series Products

SE3 回转式减速器  
slewing drive

UNITS: mm  
单位: mm  
1 inch = 25.4 mm

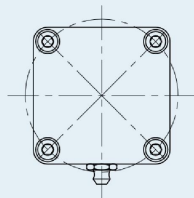


**12kg**

VIEW A

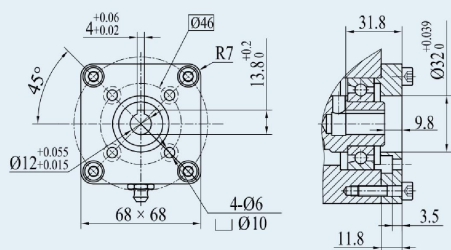
A 向视图

END CAP  
闷盖



VIEW B

B 向视图



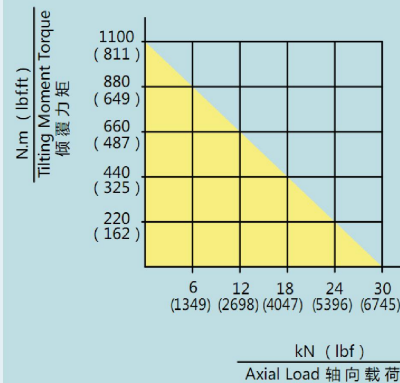
输入端允许在“A”向视图 “A” VIEW AS INPUT IS AVAILABLE  
可根据顾客要求进行非标设计 CUSTOMIZED UPON REQUESTS



SE3 回转式减速器性能参数表  
slewing drive performance parameters

Data 参数 Model 类型	Output Torque 输出转矩	Tilting Moment Torque 倾覆力矩	Holding Torque 保持力矩	Static Axial Rating 轴向静载荷	Static Radial Rating 径向静载荷	Dynamic Axial Rating 轴向动载荷	Dynamic Radial Rating 径向动载荷	Gear Ratio 减速比	Tracking Precision 精度等级	Weight 重量
SE3	400 N.m	1100 N.m	2000 N.m	30 kN	16.6 kN	9.6 kN	8.4 kN	62 : 1	A 0.2°	12kg
	295 lbf.ft	811 lbf.ft	1475 lbf.ft	6744 lbf	3732 lbf	2158 lbf	1888 lbf			
PE3	400 N.m	1100 N.m	2000 N.m	30 kN	16.6 kN	9.6 kN	8.4 kN	62 : 1	I: ≤ 0.08° II: ≤ 0.12° III: ≤ 0.15°	12kg
	295 lbf.ft	811 lbf.ft	1475 lbf.ft	6744 lbf	3732 lbf	2158 lbf	1888 lbf			
ZE3	240 N.m	1100 N.m	2000 N.m	30 kN	16.6 kN	9.6 kN	8.4 kN	62 : 1	0°	12kg
	177 lbf.ft	811 lbf.ft	1475 lbf.ft	6744 lbf	3732 lbf	2158 lbf	1888 lbf			

MOMENT LOAD CHART 承载力矩表  
Axial Load & Tilting Moment  
轴向载荷 & 倾覆力矩



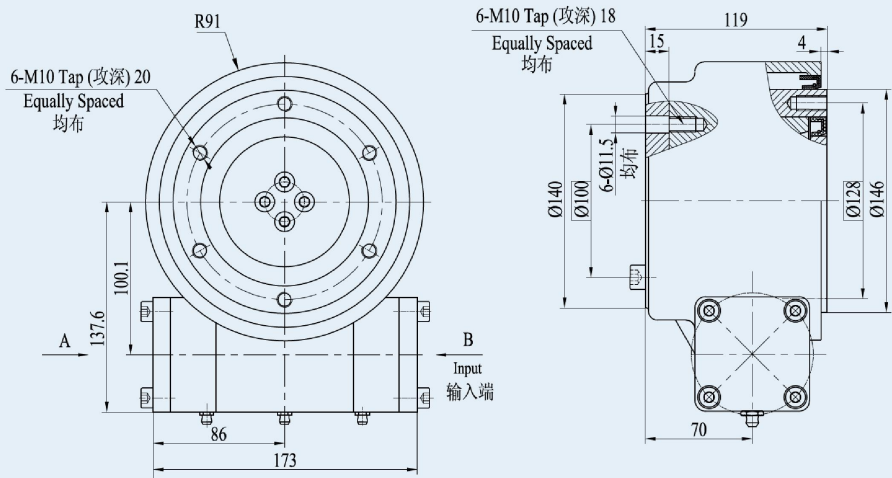
**注意! NOTICE**

\* 选型时请确保实际载荷在曲线范围内  
PLEASEN BE SURE TO REMAIN UNDER THIS CURVE

\* 以上图纸仅供参考  
The above drawings are for reference only.

SE5 | 回转式减速器  
slewing drive

UNITS:  
单位: mm  
1 inch = 25.4 mm

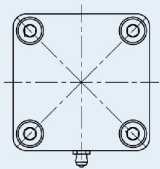


20kg

VIEW A

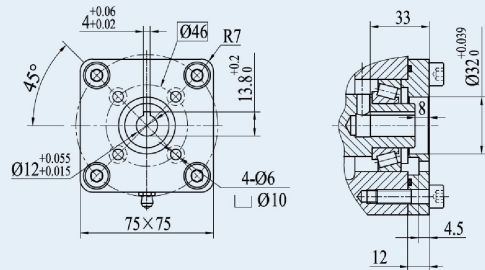
A 向视图

END CAP  
闷盖

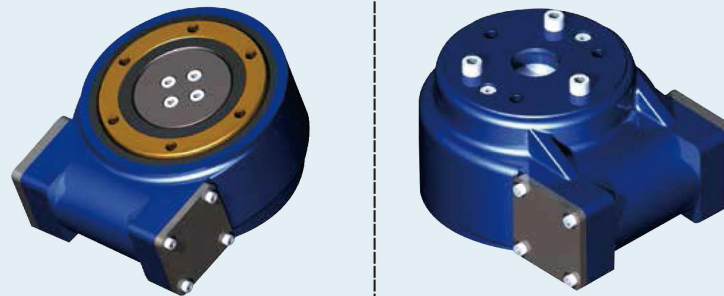


VIEW B

B 向视图



输入端允许在“A”向视图 “A” VIEW AS INPUT IS AVAILABLE  
可根据顾客要求进行非标设计 CUSTOMIZED UPON REQUESTS

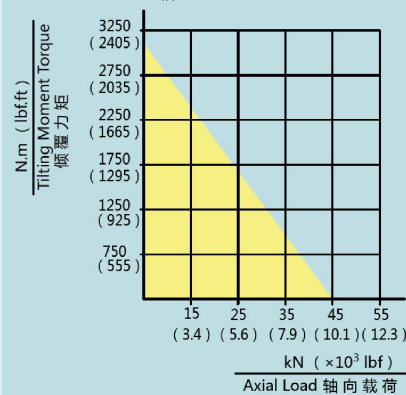


SE5 | 回转式减速器性能参数表  
slewing drive performance parameters

Model 类型	Data 参数	Output Torque 输出转矩	Tilting Moment Torque 倾覆力矩	Holding Torque 保持力矩	Static Axial Rating 轴向静载荷	Static Radial Rating 径向静载荷	Dynamic Axial Rating 轴向动载荷	Dynamic Radial Rating 径向动载荷	Gear Ratio 减速比	Tracking Precision 精度等级	Weight 重量
SE5		600 N.m	3000 N.m	5500 N.m	45 kN	22 kN	14.4 kN	11.1 kN	62 : 1	I : ≤ 0.05° II : ≤ 0.08° III : ≤ 0.12°	20kg
		442.5 lbf.ft	2212.5 lbf.ft	4056.25 lbf.ft	10116 lbf	4945.6 lbf	3237.1 lbf	2495.3 lbf			
PE5		600 N.m	3000 N.m	5500 N.m	45 kN	22 kN	14.4 kN	11.1 kN	62 : 1	I : ≤ 0.05° II : ≤ 0.08° III : ≤ 0.12°	20kg
		442.5 lbf.ft	2212.5 lbf.ft	4056.25 lbf.ft	10116 lbf	4945.6 lbf	3237.1 lbf	2495.3 lbf			
ZE5		360 N.m	3000 N.m	5500 N.m	45 kN	22 kN	14.4 kN	11.1 kN	62 : 1	0°	20kg
		265.5 lbf.ft	2212.5 lbf.ft	4056.25 lbf.ft	10116 lbf	4945.6 lbf	3237.1 lbf	2495.3 lbf			

MOMENT LOAD CHART 承载力矩表

Axial Load & Tilting Moment  
轴向载荷 & 倾覆力矩



注意! NOTICE

\* 选型时请确保实际载荷在曲线范围内  
PLEASEN BE SURE TO REMAIN UNDER THIS CURVE

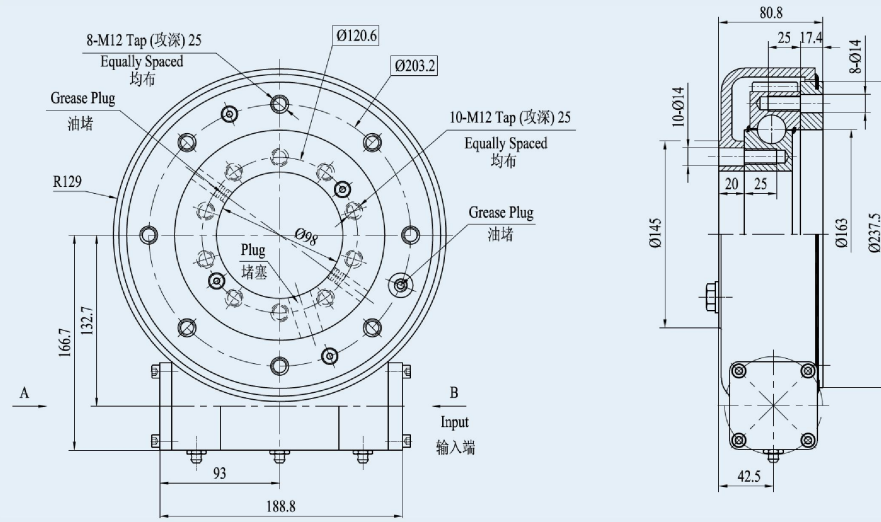
\* 以上图纸仅供参考

The above drawings are for reference only.



SE7 回转式减速器  
slewing drive

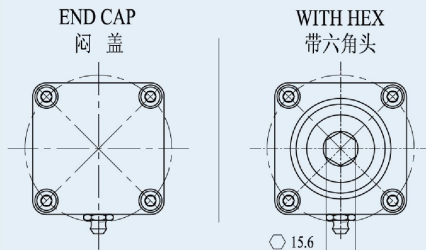
UNITS:  
单位: mm  
1 inch = 25.4 mm



**21kg**

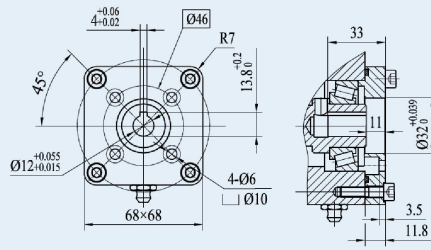
VIEW A OPTION

A 向选项

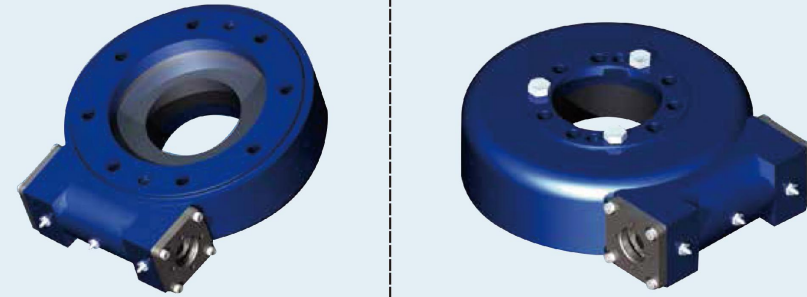


VIEW B

B 向视图



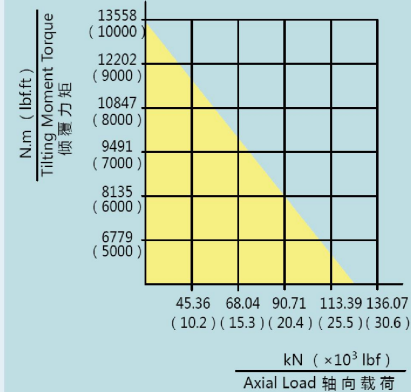
输入端允许在“A”向视图 “A” VIEW AS INPUT IS AVAILABLE  
可根据顾客要求进行非标设计 CUSTOMIZED UPON REQUESTS



SE7 回转式减速器性能参数表  
slewing drive performance parameters

Data Model 参数类型	Output Torque 输出转矩	Tilting Moment Torque 倾覆力矩	Holding Torque 保持力矩	Static Axial Rating 轴向静载荷	Static Radial Rating 径向静载荷	Dynamic Axial Rating 轴向动载荷	Dynamic Radial Rating 径向动载荷	Gear Ratio 减速比	Tracking Precision 精度等级	Weight 重量
SE7	1500 N.m 1107 lbf.ft	13500 N.m 9957 lbf.ft	10400 N.m 7671 lbf.ft	133 kN 29900 lbf	53 kN 11915 lbf	32 kN 7194 lbf	28 kN 6295 lbf	73 : 1	≤ 0.2°	21kg
PE7	1500 N.m 1107 lbf.ft	13500 N.m 9957 lbf.ft	10400 N.m 7671 lbf.ft	133 kN 29900 lbf	53 kN 11915 lbf	32 kN 7194 lbf	28 kN 6295 lbf	73 : 1	I : ≤ 0.05° II : ≤ 0.07° III : ≤ 0.11°	21kg
ZE7	600 N.m 443 lbf.ft	13500 N.m 9957 lbf.ft	10400 N.m 7671 lbf.ft	133 kN 29900 lbf	53 kN 11915 lbf	32 kN 7194 lbf	28 kN 6295 lbf	73 : 1	0°	21kg

MOMENT LOAD CHART 承载力矩表  
Axial Load & Tilting Moment  
轴向载荷 & 倾覆力矩



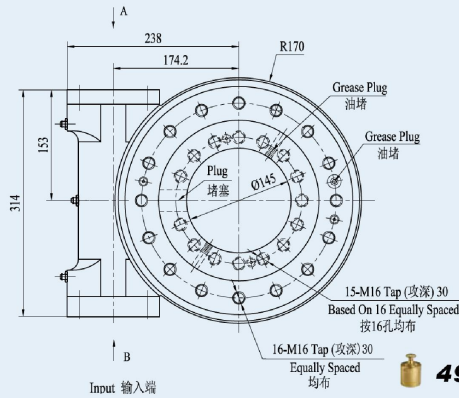
**注意! NOTICE**

\* 选型时请确保实际载荷在曲线范围内  
PLEASEN BE SURE TO REMAIN UNDER THIS CURVE

\* 以上图纸仅供参考  
The above drawings are for reference only.

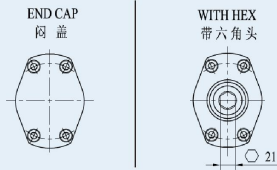
SE9 | 回转式减速器  
slewing drive

UNITS:  
单位: mm  
1 inch = 25.4 mm



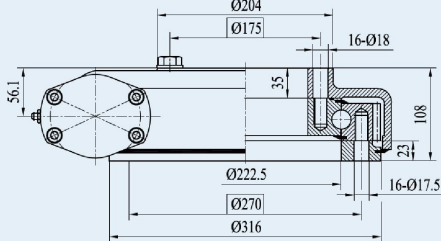
VIEW A OPTION

A 向选项



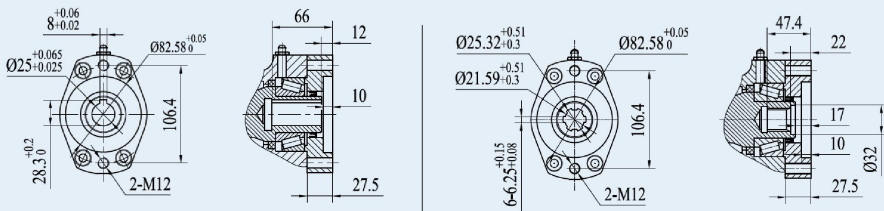
THRU HOLE OPTION

内外圈通孔选项



VIEW B OPTION

B 向选项

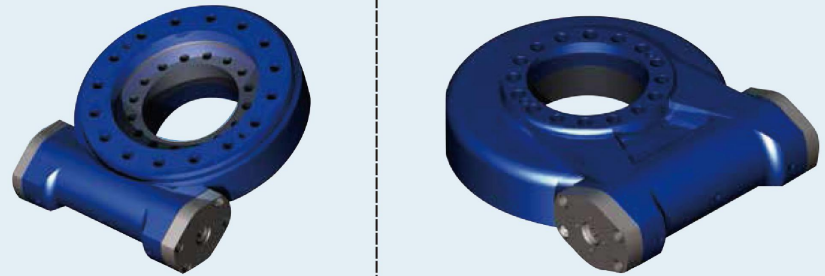


Ø12 Ø14 Ø16 Ø20 Ø25

■ NORMAL

6B SPLINE  
花键

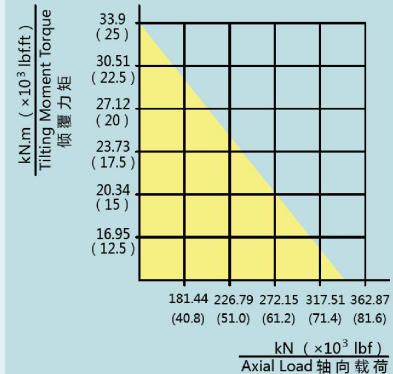
输入端允许在“A”向视图 “A” VIEW AS INPUT IS AVAILABLE  
可根据顾客要求进行非标设计 CUSTOMIZED UPON REQUESTS



SE9 | 回转式减速器性能参数表  
slewing drive performance parameters

Data Model 参数类型	Output Torque 输出转矩	Tilting Moment Torque 倾覆力矩	Holding Torque 保持力矩	Static Axial Rating 轴向静载荷	Static Radial Rating 径向静载荷	Dynamic Axial Rating 轴向动载荷	Dynamic Radial Rating 径向动载荷	Gear Ratio 减速比	Tracking Precision 精度等级	Weight 重量
SE9	6.5 kN.m 4794 lbf.ft	33.9 kN.m 25 × 10 <sup>3</sup> lbf.ft	38.7 kN.m 29 × 10 <sup>3</sup> lbf.ft	338 kN 76 × 10 <sup>3</sup> lbf	135 kN 30 × 10 <sup>3</sup> lbf	81 kN 18 × 10 <sup>3</sup> lbf	71 kN 16 × 10 <sup>3</sup> lbf	61 : 1	≤ 0.17°	49kg
PE9	6.5 kN.m 4794 lbf.ft	33.9 kN.m 25 × 10 <sup>3</sup> lbf.ft	38.7 kN.m 29 × 10 <sup>3</sup> lbf.ft	338 kN 76 × 10 <sup>3</sup> lbf	135 kN 30 × 10 <sup>3</sup> lbf	81 kN 18 × 10 <sup>3</sup> lbf	71 kN 16 × 10 <sup>3</sup> lbf			61 : 1
ZE9	3.9 kN.m 2876 lbf.ft	33.9 kN.m 25 × 10 <sup>3</sup> lbf.ft	38.7 kN.m 29 × 10 <sup>3</sup> lbf.ft	338 kN 76 × 10 <sup>3</sup> lbf	135 kN 30 × 10 <sup>3</sup> lbf	81 kN 18 × 10 <sup>3</sup> lbf	71 kN 16 × 10 <sup>3</sup> lbf	61 : 1	0°	

MOMENT LOAD CHART 承载力矩表  
Axial Load & Tilting Moment  
轴向载荷 & 倾覆力矩



⚠ 注意! NOTICE

\* 选型时请确保实际载荷在曲线范围内  
PLEASEN BE SURE TO REMAIN UNDER THIS CURVE

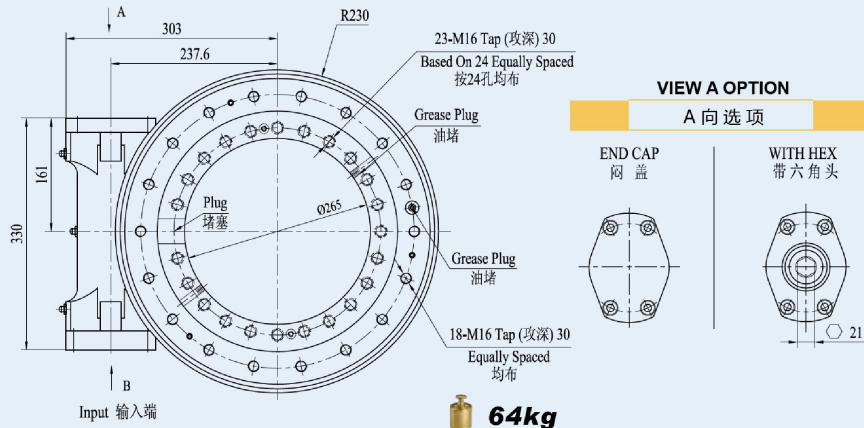
\* 以上图纸仅供参考  
The above drawings are for reference only.





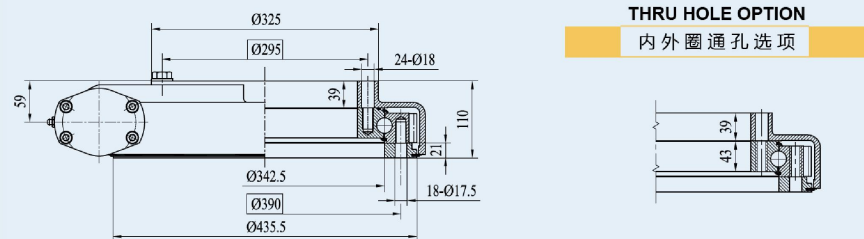
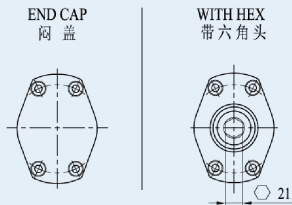
SE14 | 回转式减速器  
slewing drive

UNITS:  
单位: mm  
1 inch = 25.4 mm



VIEW A OPTION

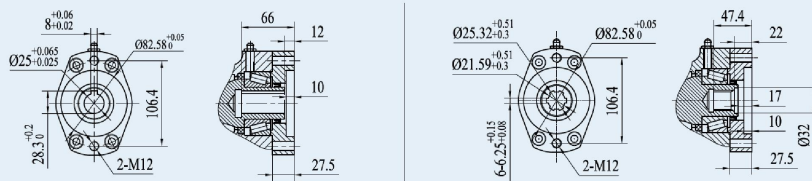
A 向选项



THRU HOLE OPTION

内外圈通孔选项

VIEW B OPTION  
B 向选项

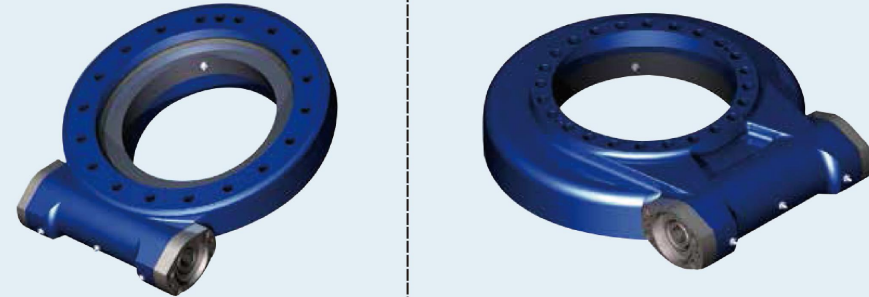


Ø12 Ø14 Ø16 Ø20 Ø25

■ NORMAL

6B SPLINE  
花键

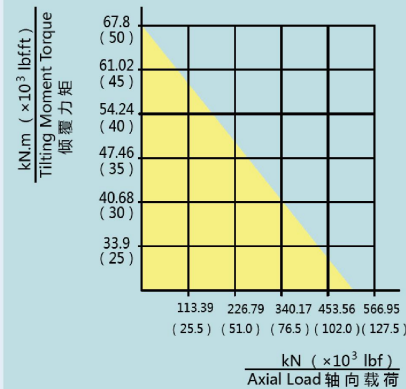
输入端允许在“A”向视图 “A” VIEW AS INPUT IS AVAILABLE  
可根据顾客要求进行非标设计 CUSTOMIZED UPON REQUESTS



SE14 | 回转式减速器性能参数表  
slewing drive performance parameters

Data 参数 Model 类型	Output Torque 输出转矩	Tilting Moment Torque 倾覆力矩	Holding Torque 保持力矩	Static Axial Rating 轴向静载荷	Static Radial Rating 径向静载荷	Dynamic Axial Rating 轴向动载荷	Dynamic Radial Rating 径向动载荷	Gear Ratio 减速比	Tracking Precision 精度等级	Weight 重量
SE14	8 kN.m	67.8 kN.m	48 kN.m	555 kN	222 kN	133 kN	117 kN	85 : 1	≤ 0.17°	64kg
	5900 lbf.ft	50 × 10 <sup>3</sup> lbf.ft	35 × 10 <sup>3</sup> lbf.ft	125 × 10 <sup>3</sup> lbf	50 × 10 <sup>3</sup> lbf	30 × 10 <sup>3</sup> lbf	26 × 10 <sup>3</sup> lbf			
PE14	8 kN.m	67.8 kN.m	48 kN.m	555 kN	222 kN	133 kN	117 kN	85 : 1	I : ≤ 0.03° II : ≤ 0.05° III : ≤ 0.07° IV : ≤ 0.09°	64kg
	5900 lbf.ft	50 × 10 <sup>3</sup> lbf.ft	35 × 10 <sup>3</sup> lbf.ft	125 × 10 <sup>3</sup> lbf	50 × 10 <sup>3</sup> lbf	30 × 10 <sup>3</sup> lbf	26 × 10 <sup>3</sup> lbf			
ZE14	4.8 kN.m	67.8 kN.m	48 kN.m	555 kN	222 kN	133 kN	117 kN	85 : 1	0°	64kg
	3500 lbf.ft	50 × 10 <sup>3</sup> lbf.ft	35 × 10 <sup>3</sup> lbf.ft	125 × 10 <sup>3</sup> lbf	50 × 10 <sup>3</sup> lbf	30 × 10 <sup>3</sup> lbf	26 × 10 <sup>3</sup> lbf			

MOMENT LOAD CHART 承载力矩表  
Axial Load & Tilting Moment  
轴向载荷 & 倾覆力矩



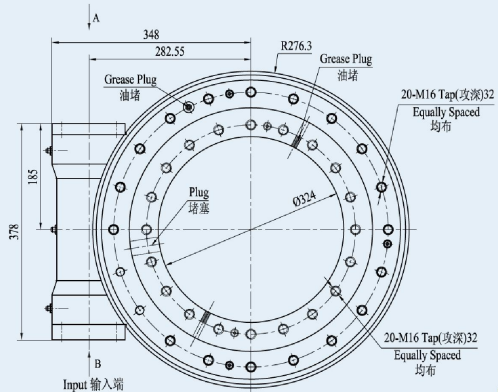
⚠ 注意! NOTICE

\* 选型时请确保实际载荷在曲线范围内  
PLEASEN BE SURE TO REMAIN UNDER THIS CURVE

\* 以上图纸仅供参考  
The above drawings are for reference only.

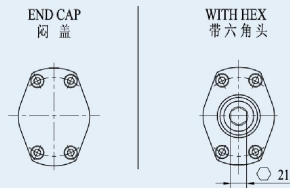
SE17 回转式减速器  
slewing drive

UNITS:  
单位: mm  
1 inch = 25.4 mm



VIEW A OPTION

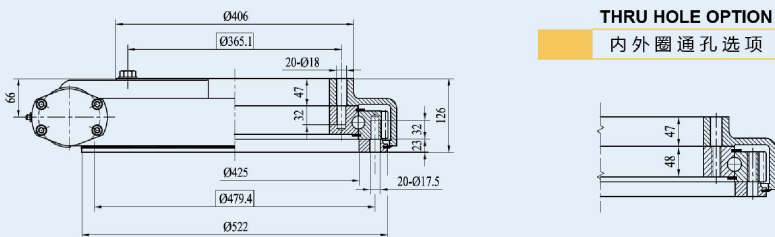
A 向选项



105kg

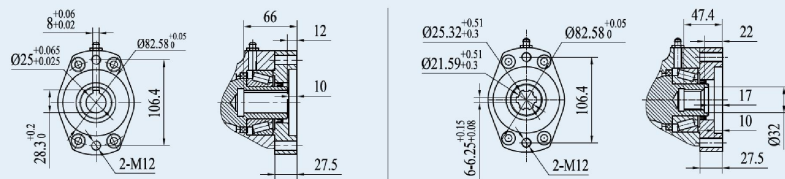
THRU HOLE OPTION

内外圈通孔选项



VIEW B OPTION

B 向选项

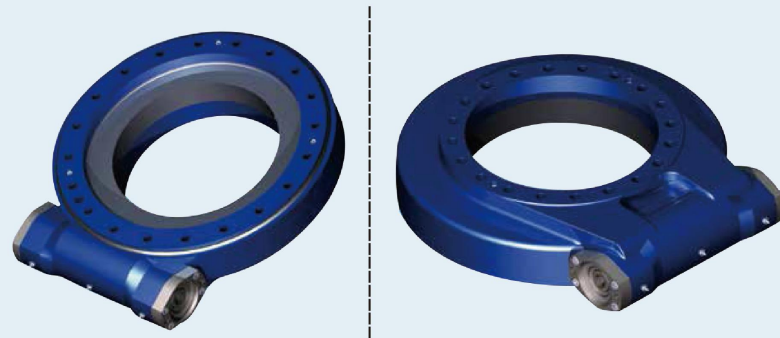


Ø12 Ø14 Ø16 Ø20 Ø25

■ NORMAL

6B SPLINE  
花键

输入端允许在“A”向视图 “A” VIEW AS INPUT IS AVAILABLE  
可根据顾客要求进行非标设计 CUSTOMIZED UPON REQUESTS

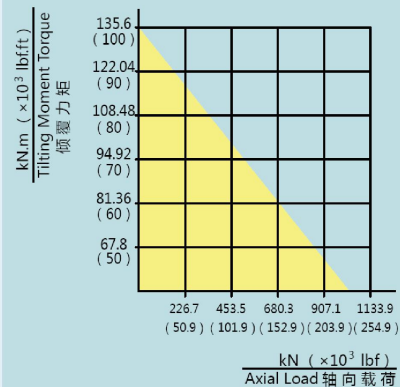


SE17 回转式减速器性能参数表  
slewing drive performance parameters

Data 参数 Model 类型	Output Torque 输出转矩	Tilting Moment Torque 倾覆力矩	Holding Torque 保持力矩	Static Axial Rating 轴向静载荷	Static Radial Rating 径向静载荷	Dynamic Axial Rating 轴向动载荷	Dynamic Radial Rating 径向动载荷	Gear Ratio 减速比	Tracking Precision 精度等级	Weight 重量
SE17	10 kN.m	135.6 kN.m	72.3 kN.m	970 kN	390 kN	235 kN	205 kN	102 : 1	≤ 0.15°	105kg
	7400 lbf.ft	100 × 10 <sup>3</sup> lbf.ft	53 × 10 <sup>3</sup> lbf.ft	218 × 10 <sup>3</sup> lbf	88 × 10 <sup>3</sup> lbf	53 × 10 <sup>3</sup> lbf	46 × 10 <sup>3</sup> lbf			
PE17	10 kN.m	135.6 kN.m	72.3 kN.m	970 kN	390 kN	235 kN	205 kN	102 : 1	I : ≤ 0.03° II : ≤ 0.05° III : ≤ 0.07° IV : ≤ 0.09°	105kg
	7400 lbf.ft	100 × 10 <sup>3</sup> lbf.ft	53 × 10 <sup>3</sup> lbf.ft	218 × 10 <sup>3</sup> lbf	88 × 10 <sup>3</sup> lbf	53 × 10 <sup>3</sup> lbf	46 × 10 <sup>3</sup> lbf			

MOMENT LOAD CHART 承载力矩表

Axial Load & Tilting Moment  
轴向载荷 & 倾覆力矩



注意! NOTICE

\* 选型时请确保实际载荷在曲线范围内  
PLEASEN BE SURE TO REMAIN UNDER THIS CURVE

\* 以上图纸仅供参考

The above drawings are for reference only.





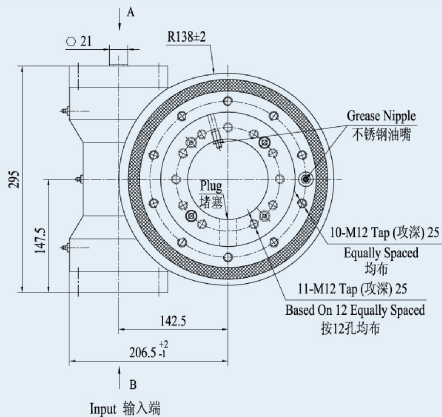


# WE系列产品

WE Series Products

**WEA7** 回转式减速器  
slewing drive

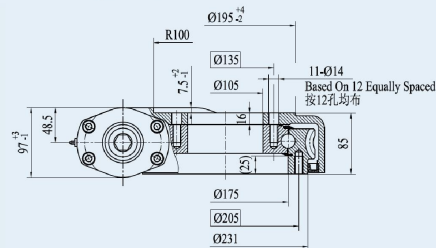
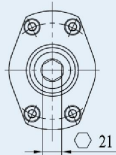
UNITS: mm  
单位: mm  
1 inch = 25.4 mm



### VIEW A OPTION

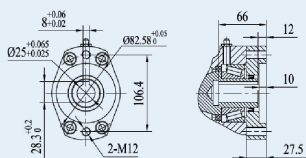
A 向视图

WITH HEX  
带六角头



### VIEW B OPTION

B 向选项



**Ø12 Ø14 Ø16 Ø20 Ø25**

■ NORMAL

**35kg**

**6B** SPLINE  
花键

输入端允许在“A”向视图 “A” VIEW AS INPUT IS AVAILABLE  
可根据顾客要求进行非标设计 CUSTOMIZED UPON REQUESTS

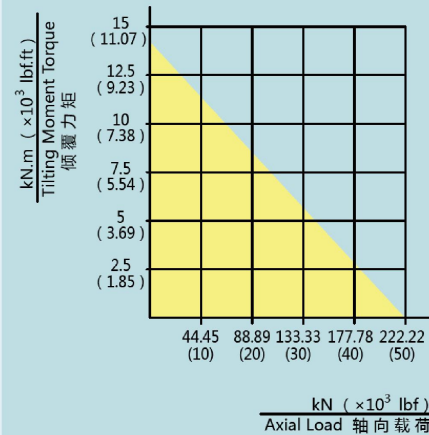


**WEA7** | 回转式减速器性能参数表  
slewing drive performance parameters

Data 参数 Model 类型	Output Torque 输出转矩	Tilting Moment Torque 倾覆力矩	Holding Torque 保持力矩	Static Axial Rating 轴向静载荷	Static Radial Rating 径向静载荷	Dynamic Axial Rating 轴向动载荷	Dynamic Radial Rating 径向动载荷	Gear Ratio 减速比	Tracking Precision 精度等级	Weight 重量
WEA7	3.5 kN.m 2583 lbf.ft	14.2 kN.m 10.5 × 10 <sup>3</sup> lbf.ft	20 kN.m 14.8 × 10 <sup>3</sup> lbf.ft	220 kN 49.5 × 10 <sup>3</sup> lbf	90 kN 20.2 × 10 <sup>3</sup> lbf	63 kN 14.2 × 10 <sup>3</sup> lbf	48 kN 10.8 × 10 <sup>3</sup> lbf	47 : 1	≤ 0.15°	35kg

### MOMENT LOAD CHART 承载力矩表

Axial Load & Tilting Moment  
轴向载荷 & 倾覆力矩



**注意! NOTICE**

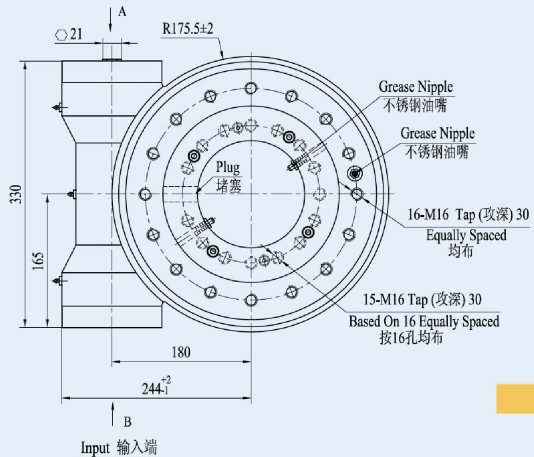
\* 选型时请确保实际载荷在曲线范围内  
PLEASEN BE SURE TO REMAIN UNDER THIS CURVE

\* 以上图纸仅供参考

The above drawings are for reference only.

**WE9** | 回转式减速器  
slewing drive

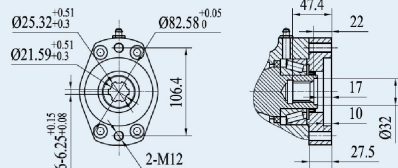
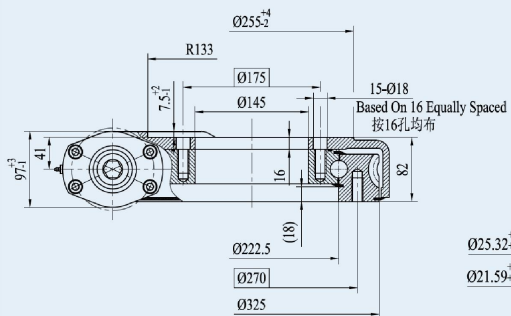
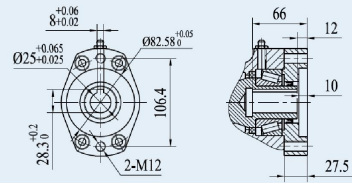
UNITS:  
单位: mm  
1 inch = 25.4 mm



**VIEW A**  
A 向视图



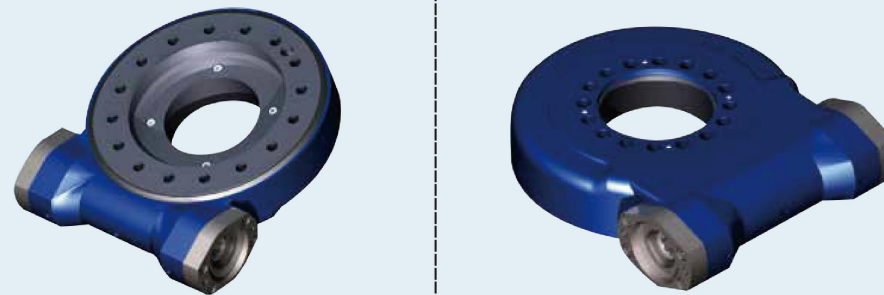
**VIEW B OPTION**  
B 向选项



**6B** SPLINE  
花键  
■ NORMAL

**48.5kg**

输入端允许在“A”向视图 “A” VIEW AS INPUT IS AVAILABLE  
可根据顾客要求进行非标设计 CUSTOMIZED UPON REQUESTS

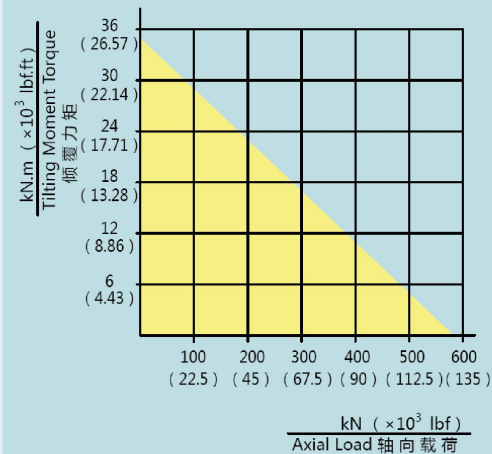


**WE9** | 回转式减速器性能参数表  
slewing drive performance parameters

Data 参数 Model 类型	Output Torque 输出转矩	Tilting Moment Torque 倾覆力矩	Holding Torque 保持力矩	Static Axial Rating 轴向静载荷	Static Radial Rating 径向静载荷	Dynamic Axial Rating 轴向动载荷	Dynamic Radial Rating 径向动载荷	Gear Ratio 减速比	Tracking Precision 精度等级	Weight 重量
WE9	8 kN.m 5904 lbf.ft	35.6 kN.m 26.3 × 10 <sup>3</sup> lbf.ft	38.7 kN.m 29 × 10 <sup>3</sup> lbf.ft	578 kN 129.9 × 10 <sup>3</sup> lbf	215 kN 48.3 × 10 <sup>3</sup> lbf	136 kN 30.6 × 10 <sup>3</sup> lbf	115 kN 25.9 × 10 <sup>3</sup> lbf	62 : 1	≤ 0.15°	48.5kg

**MOMENT LOAD CHART 承载力矩表**

Axial Load & Tilting Moment  
轴向载荷 & 倾覆力矩



**注意! NOTICE**

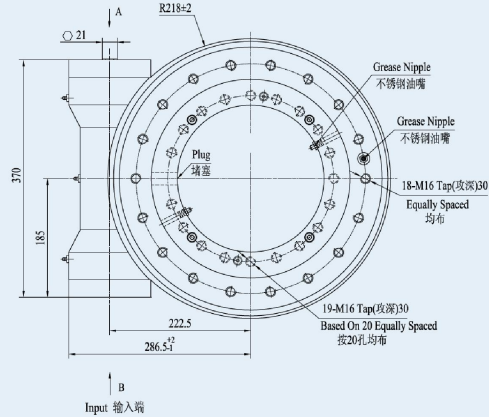
\* 选型时请确保实际载荷在曲线范围内  
PLEASEN BE SURE TO REMAIN UNDER THIS CURVE

\* 以上图纸仅供参考  
The above drawings are for reference only.



**WE12** | 回转式减速器  
slewing drive

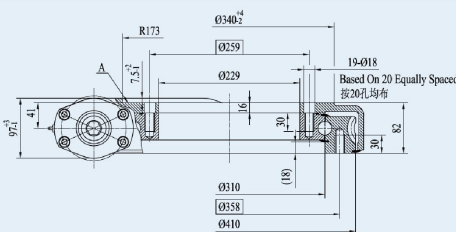
UNITS:  
单位: mm  
1 inch = 25.4 mm



**VIEW A OPTION**

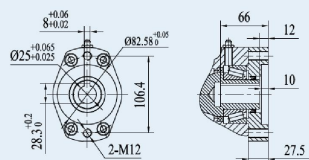
A 向选项

WITH HEX  
带六角头



**VIEW B OPTION**

B 向选项



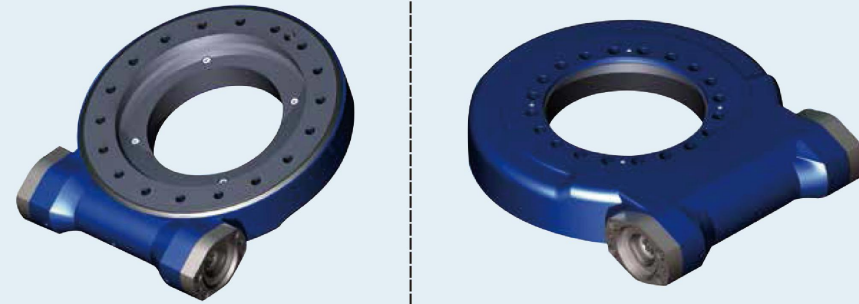
**Ø12 Ø14 Ø16 Ø20 Ø25**

**NORMAL**

**61kg**

**6B SPLINE**  
花键

输入端允许在“A”向视图 “A” VIEW AS INPUT IS AVAILABLE  
可根据顾客要求进行非标设计 CUSTOMIZED UPON REQUESTS

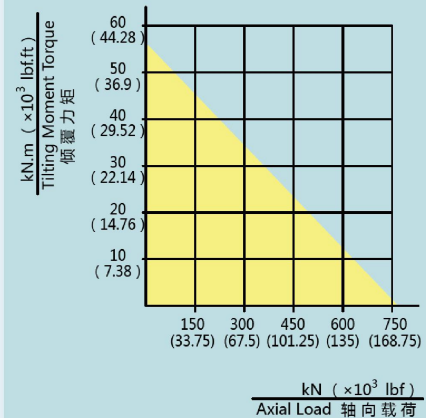


**WE12** | 回转式减速器性能参数表  
slewing drive performance parameters

Data 参数	Output Torque 输出转矩	Tilting Moment Torque 倾覆力矩	Holding Torque 保持力矩	Static Axial Rating 轴向静载荷	Static Radial Rating 径向静载荷	Dynamic Axial Rating 轴向动载荷	Dynamic Radial Rating 径向动载荷	Gear Ratio 减速比	Tracking Precision 精度等级	Weight 重量
WE12	9.5 kN.m 7011 lbf.ft	57 kN.m 42.1 × 10 <sup>3</sup> lbf.ft	43 kN.m 32 × 10 <sup>3</sup> lbf.ft	760 kN 171.1 × 10 <sup>3</sup> lbf	280 kN 62.9 × 10 <sup>3</sup> lbf	190 kN 42.7 × 10 <sup>3</sup> lbf	148 kN 33.3 × 10 <sup>3</sup> lbf	79 : 1	≤ 0.15°	61kg

**MOMENT LOAD CHART 承载力矩表**

Axial Load & Tilting Moment  
轴向载荷 & 倾覆力矩



**注意! NOTICE**

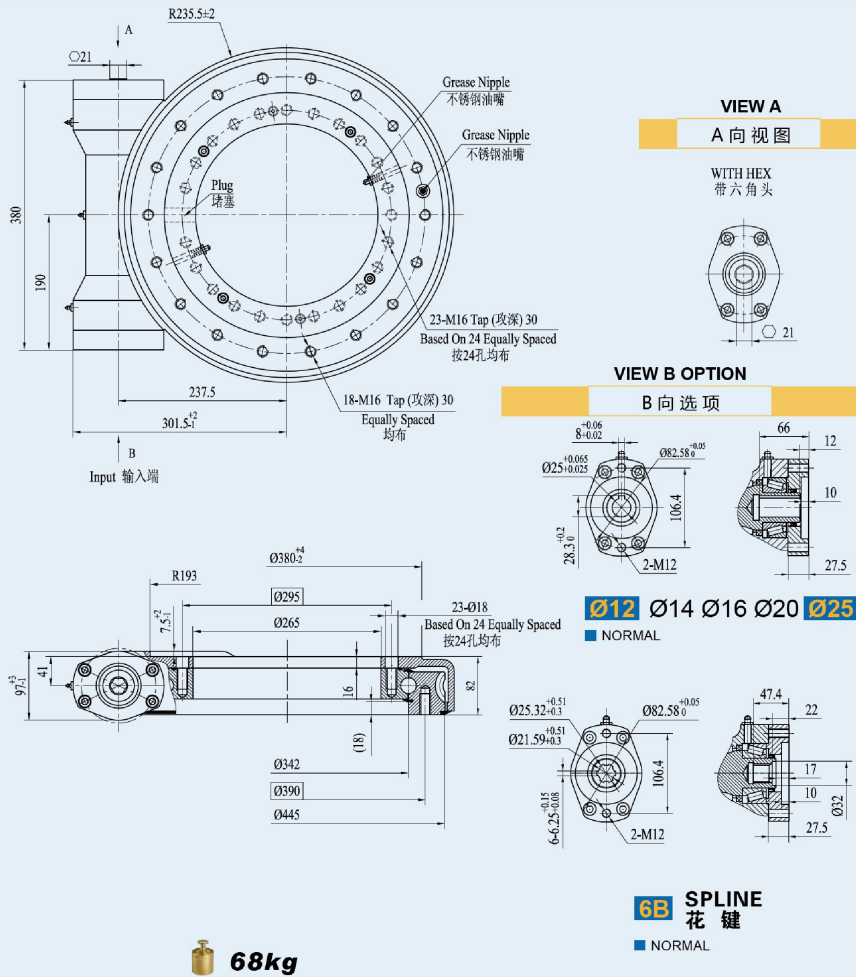
\* 选型时请确保实际载荷在曲线范围内  
PLEASEN BE SURE TO REMAIN UNDER THIS CURVE

\* 以上图纸仅供参考

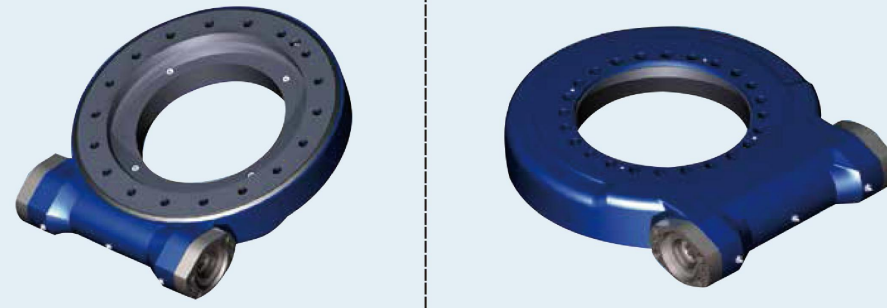
The above drawings are for reference only.

**WE14** | 回转式减速器  
slewing drive

UNITS:  
单位: mm  
1 inch = 25.4 mm



输入端允许在“A”向视图 “A” VIEW AS INPUT IS AVAILABLE  
可根据顾客要求进行非标设计 CUSTOMIZED UPON REQUESTS

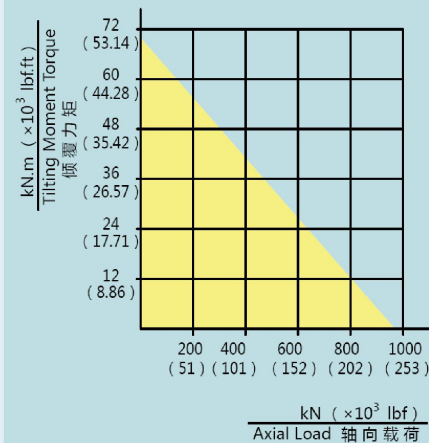


**WE14** | 回转式减速器性能参数表  
slewing drive performance parameters

Data 参数	Output 转矩	Tilting Moment Torque	Holding Torque	Static Axial Rating	Static Radial Rating	Dynamic Axial Rating	Dynamic Radial Rating	Gear Ratio	Tracking Precision	Weight
Model 类型	输出转矩	倾覆力矩	保持力矩	轴向静载荷	径向静载荷	轴向动载荷	径向动载荷	减速比	精度等级	重量
WE14	10.8 kN.m 7970 lbf.ft	71.2 kN.m 52.6 × 10 <sup>3</sup> lbf.ft	48 kN.m 35 × 10 <sup>3</sup> lbf.ft	960 kN 215.8 × 10 <sup>3</sup> lbf	360 kN 80.9 × 10 <sup>3</sup> lbf	230 kN 51.7 × 10 <sup>3</sup> lbf	200 kN 44.9 × 10 <sup>3</sup> lbf	86 : 1	≤ 0.13°	68kg

**MOMENT LOAD CHART 承载力矩表**

Axial Load & Tilting Moment  
轴向载荷 & 倾覆力矩



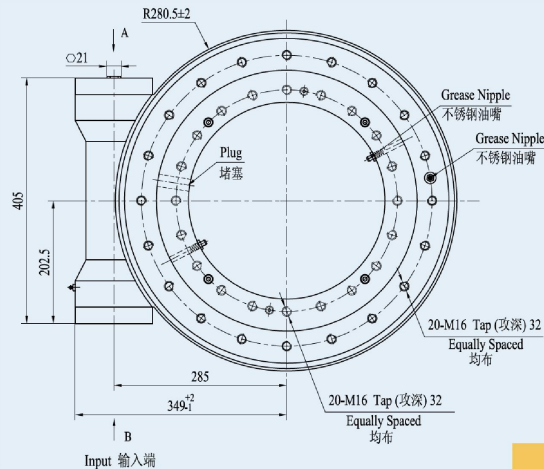
**⚠ 注意! NOTICE**

\* 选型时请确保实际载荷在曲线范围内  
PLEASEN BE SURE TO REMAIN UNDER THIS CURVE

\* 以上图纸仅供参考

The above drawings are for reference only.

**WE17** 回转式减速器  
slewing drive

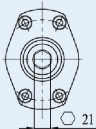


UNITS:  
单位: mm  
1 inch = 25.4 mm

**VIEW A**

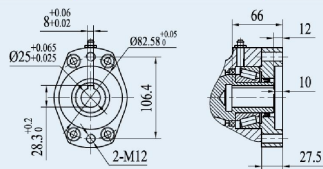
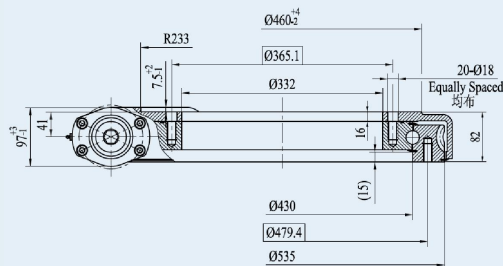
A 向视图

WITH HEX  
带六角头



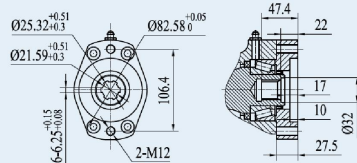
**VIEW B OPTION**

B 向选项



**Ø12 Ø14 Ø16 Ø20 Ø25**

■ NORMAL

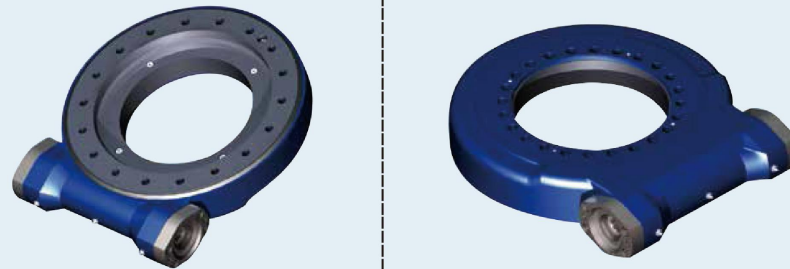


**6B SPLINE**  
花键

■ NORMAL

**90kg**

输入端允许在“A”向视图 “A” VIEW AS INPUT IS AVAILABLE  
可根据顾客要求进行非标设计 CUSTOMIZED UPON REQUESTS

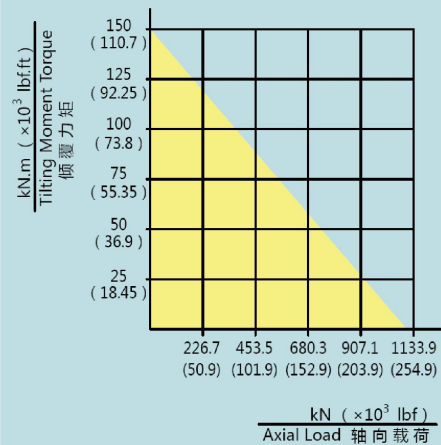


**WE17** 回转式减速器性能参数表  
slewing drive performance parameters

Data Model 参数 类型	Output Torque 输出转矩	Tilting Moment Torque 倾覆力矩	Holding Torque 保持力矩	Static Axial Rating 轴向静载荷	Static Radial Rating 径向静载荷	Dynamic Axial Rating 轴向动载荷	Dynamic Radial Rating 径向动载荷	Gear Ratio 减速比	Tracking Precision 精度等级	Weight 重量
WE17	12.96 kN.m	142.4 kN.m	72.3 kN.m	1166 kN	435 kN	280 kN	231 kN	104 : 1	≤ 0.1°	90kg
	9564 lbf.ft	105 × 10 <sup>3</sup> lbf.ft	53.4 × 10 <sup>3</sup> lbf.ft	262 × 10 <sup>3</sup> lbf	97.8 × 10 <sup>3</sup> lbf	62.9 × 10 <sup>3</sup> lbf	51.9 × 10 <sup>3</sup> lbf			

**MOMENT LOAD CHART 承载力矩表**

Axial Load & Tilting Moment  
轴向载荷 & 倾覆力矩



**注意! NOTICE**

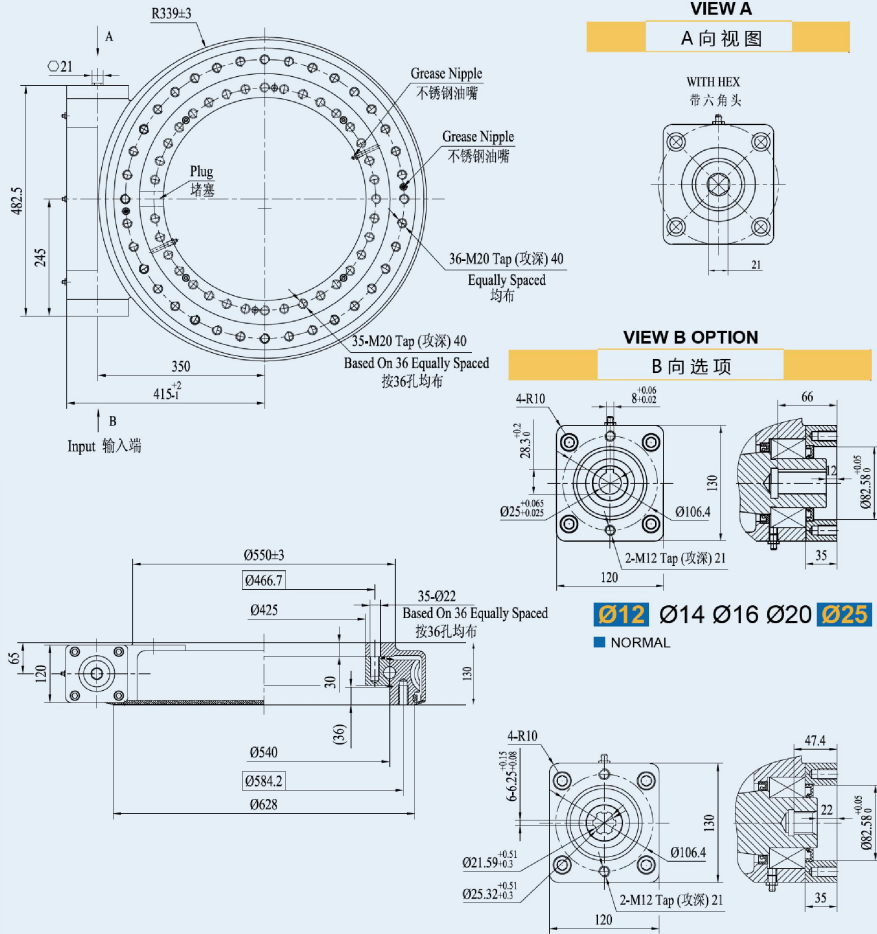
\* 选型时请确保实际载荷在曲线范围内  
PLEASEN BE SURE TO REMAIN UNDER THIS CURVE

\* 以上图纸仅供参考  
The above drawings are for reference only.



**WE 21** | 回转式减速器  
slewing drive

UNITS:  
单位: mm  
1 inch = 25.4 mm



**169kg**

**6B** SPLINE  
花键

■ NORMAL

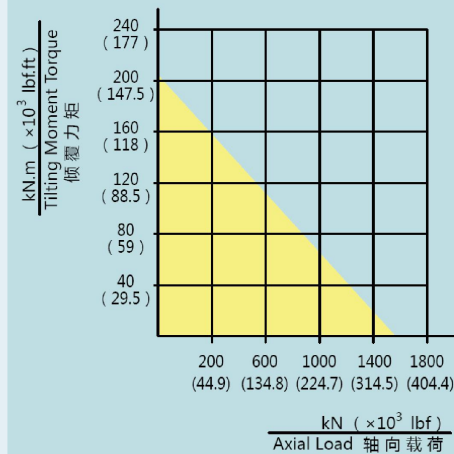
输入端允许在“A”向视图 “A” VIEW AS INPUT IS AVAILABLE  
可根据顾客要求进行非标设计 CUSTOMIZED UPON REQUESTS



**WE21** | 回转式减速器性能参数表  
slewing drive performance parameters

Data 参数 Model 类型	Output Torque 输出转矩	Tilting Moment Torque 倾覆力矩	Holding Torque 保持力矩	Static Axial Rating 轴向静载荷	Static Radial Rating 径向静载荷	Dynamic Axial Rating 轴向动载荷	Dynamic Radial Rating 径向动载荷	Gear Ratio 减速比	Tracking Precision 精度等级	Weight 重量
WE21	28.7 kN.m 21180 lbf.ft	203 kN.m 150 × 10 <sup>3</sup> lbf.ft	105.8 kN.m 78.1 × 10 <sup>3</sup> lbf.ft	1598 kN 359 × 10 <sup>3</sup> lbf	640 kN 144 × 10 <sup>3</sup> lbf	385 kN 87 × 10 <sup>3</sup> lbf	335 kN 75 × 10 <sup>3</sup> lbf	90 : 1	≤ 0.1°	169kg

**MOMENT LOAD CHART 承载力矩表**  
Axial Load & Tilting Moment  
轴向载荷 & 倾覆力矩



**注意! NOTICE**

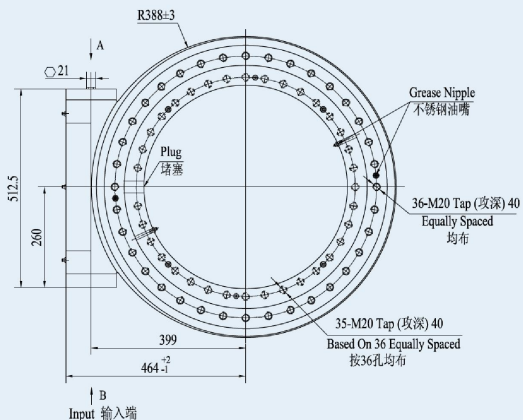
\* 选型时请确保实际载荷在曲线范围内  
PLEASEN BE SURE TO REMAIN UNDER THIS CURVE

\* 以上图纸仅供参考

The above drawings are for reference only.

**WE 25** | 回转式减速器  
slewing drive

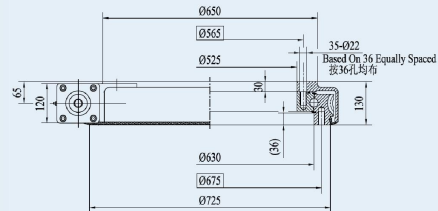
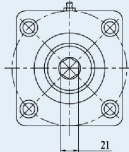
UNITS:  
单位: mm  
1 inch = 25.4 mm



**VIEW A OPTION**

A 向选项

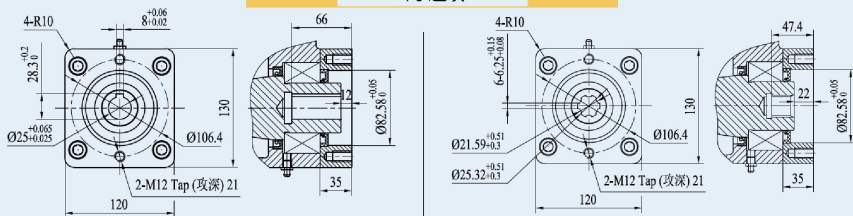
WITH HEX  
带六角头



**199kg**

**VIEW B OPTION**

B 向选项



**Ø12 Ø14 Ø16 Ø20 Ø25**

■ NORMAL

**6B SPLINE**  
花键

输入端允许在“A”向视图 “A” VIEW AS INPUT IS AVAILABLE  
可根据顾客要求进行非标设计 CUSTOMIZED UPON REQUESTS

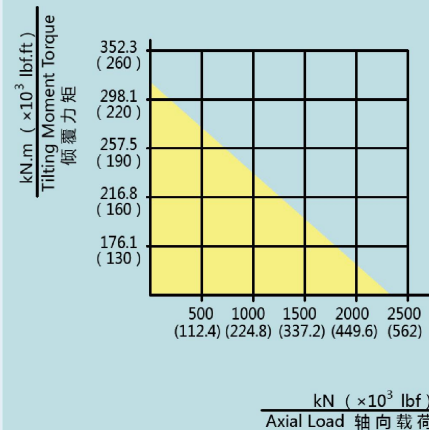


**WE25** | 回转式减速器性能参数表  
slewing drive performance parameters

Data 参数	Output Torque 输出转矩	Tilting Moment Torque 倾覆力矩	Holding Torque 保持力矩	Static Axial Rating 轴向静载荷	Static Radial Rating 径向静载荷	Dynamic Axial Rating 轴向动载荷	Dynamic Radial Rating 径向动载荷	Gear Ratio 减速比	Tracking Precision 精度等级	Weight 重量
WE25	34.2 kN.m 25240 lbf.ft	310 kN.m 229 × 10 <sup>3</sup> lbf.ft	158.3 kN.m 117 × 10 <sup>3</sup> lbf.ft	2360 kN 531 × 10 <sup>3</sup> lbf	945 kN 212 × 10 <sup>3</sup> lbf	590 kN 133 × 10 <sup>3</sup> lbf	470 kN 106 × 10 <sup>3</sup> lbf	104 : 1	≤ 0.1°	199kg

**MOMENT LOAD CHART 承载力矩表**

Axial Load & Tilting Moment  
轴向载荷 & 倾覆力矩



**注意! NOTICE**

\* 选型时请确保实际载荷在曲线范围内  
PLEASEN BE SURE TO REMAIN UNDER THIS CURVE

\* 以上图纸仅供参考  
The above drawings are for reference only.

# SE-2 系列产品

SE-2 Series Products

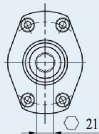
SE14-2/S14-2 回转式减速器 slewing drive

UNITS: mm  
单位: mm  
1 inch = 25.4 mm

## VIEW A OPTION

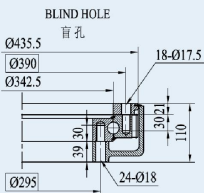
A 向选项

WITH HEX  
带六角头

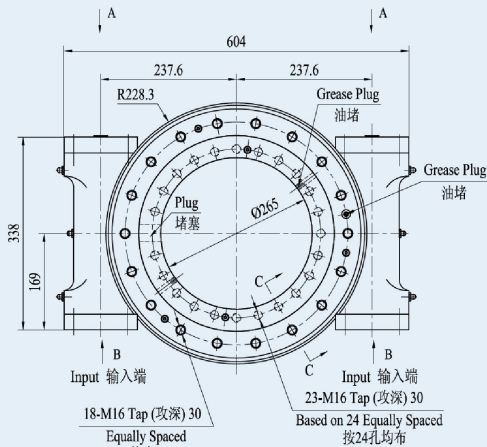
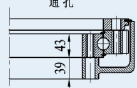


## SECTION C

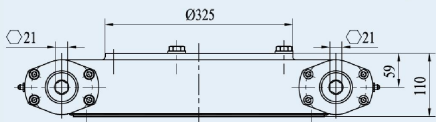
C 向剖视



## THRU HOLE

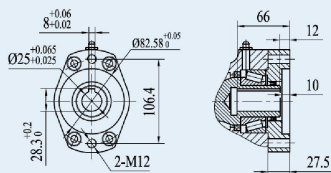


76kg



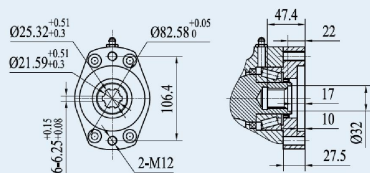
## VIEW B OPTION

B 向选项



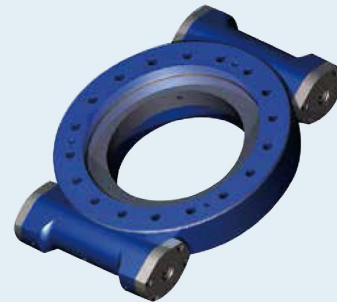
Ø12 Ø14 Ø16 Ø20 Ø25

■ NORMAL



6B SPLINE  
花键

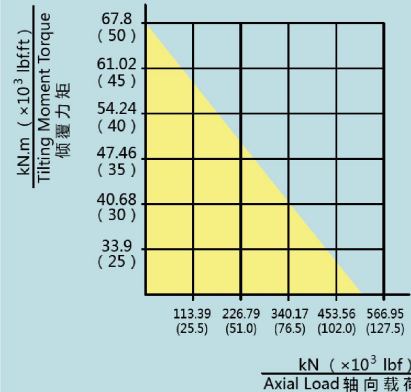
输入端允许在“A”向视图 “A” VIEW AS INPUT IS AVAILABLE  
可根据顾客要求进行非标设计 CUSTOMIZED UPON REQUESTS



SE14-2/S14-2 回转式减速器性能参数表  
slewing drive performance parameters

Model 类型	Data 参数	Output Torque 输出转矩	Tilting Moment Torque 倾覆力矩	Holding Torque 保持力矩	Static Axial Rating 轴向静载荷	Static Radial Rating 径向静载荷	Dynamic Axial Rating 轴向动载荷	Dynamic Radial Rating 径向动载荷	Gear Ratio 减速比	Tracking Precision 精度等级	Weight 重量
SE14-2	12 kN.m	67.8 kN.m	81.6 kN.m	555 kN	222 kN	133 kN	117 kN	85 : 1	≤ 0.17°	76kg	
	8851 lbf.ft	50 × 10 <sup>3</sup> lbf.ft	59.5 × 10 <sup>3</sup> lbf.ft	125 × 10 <sup>3</sup> lbf	50 × 10 <sup>3</sup> lbf	30 × 10 <sup>3</sup> lbf	26 × 10 <sup>3</sup> lbf				
S14-2	12 kN.m	67.8 kN.m	81.6 kN.m	555 kN	222 kN	133 kN	117 kN	85 : 1	≤ 0.17°	62kg	
	8851 lbf.ft	50 × 10 <sup>3</sup> lbf.ft	59.5 × 10 <sup>3</sup> lbf.ft	125 × 10 <sup>3</sup> lbf	50 × 10 <sup>3</sup> lbf	30 × 10 <sup>3</sup> lbf	26 × 10 <sup>3</sup> lbf				

MOMENT LOAD CHART 承载力矩表  
Axial Load & Tilting Moment  
轴向载荷 & 倾覆力矩



注意! NOTICE

\* 选型时请确保实际载荷在曲线范围内  
PLEASEN BE SURE TO REMAIN UNDER THIS CURVE

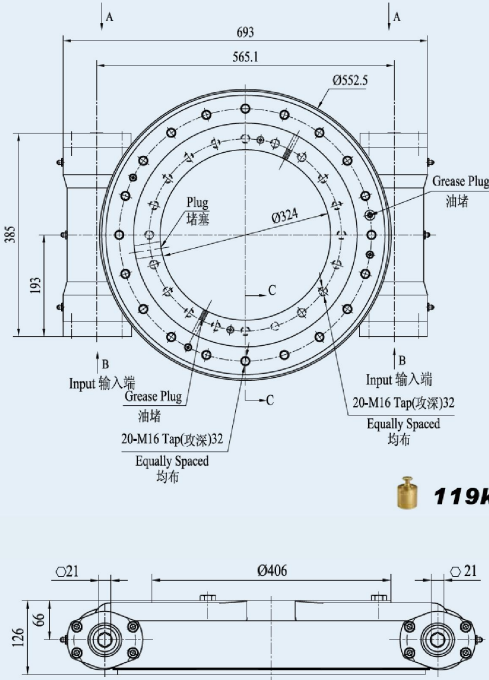
\* 以上图纸仅供参考

The above drawings are for reference only.

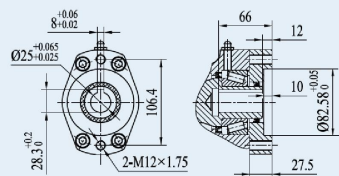


SE17-2/S17-2 回转式减速器 slewing drive

UNITS: mm  
单位: mm  
1 inch = 25.4 mm



VIEW B OPTION  
B 向选项



Ø12 Ø14 Ø16 Ø20 Ø25

■ NORMAL

VIEW A OPTION

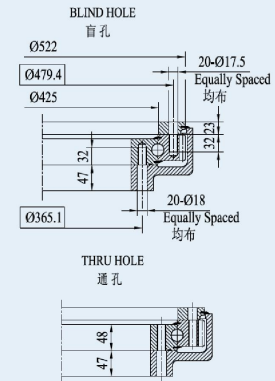
A 向选项

WITH HEX  
带六角头



SECTION C

C 向剖视



119kg

6B SPLINE  
花键

输入端允许在“A”向视图 “A” VIEW AS INPUT IS AVAILABLE  
可根据顾客要求进行非标设计 CUSTOMIZED UPON REQUESTS

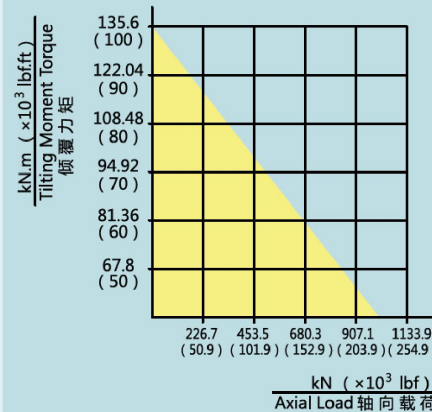


SE17-2/S17-2 回转式减速器性能参数表  
slewing drive performance parameters

Model 类型	Data 参数	Output Torque 输出转矩	Tilting Moment Torque 倾覆力矩	Holding Torque 保持力矩	Static Axial Rating 轴向静载荷	Static Radial Rating 径向静载荷	Dynamic Axial Rating 轴向动载荷	Dynamic Radial Rating 径向动载荷	Gear Ratio 减速比	Tracking Precision 精度等级	Weight 重量
SE17 -2		16.8 kN.m	135.6 kN.m	122.9 kN.m	970 kN	390 kN	235 kN	205 kN	102 : 1	≤ 0.15°	119kg
		12391 lbf.ft	100 × 10 <sup>3</sup> lbf.ft	90 × 10 <sup>3</sup> lbf.ft	218 × 10 <sup>3</sup> lbf	88 × 10 <sup>3</sup> lbf	53 × 10 <sup>3</sup> lbf	46 × 10 <sup>3</sup> lbf			
S17 -2		16.8 kN.m	135.6 kN.m	122.9 kN.m	970 kN	390 kN	235 kN	205 kN	102 : 1	≤ 0.15°	102kg
		12391 lbf.ft	100 × 10 <sup>3</sup> lbf.ft	90 × 10 <sup>3</sup> lbf.ft	218 × 10 <sup>3</sup> lbf	88 × 10 <sup>3</sup> lbf	53 × 10 <sup>3</sup> lbf	46 × 10 <sup>3</sup> lbf			

MOMENT LOAD CHART 承载力矩表

Axial Load & Tilting Moment  
轴向载荷 & 倾覆力矩



⚠ 注意! NOTICE

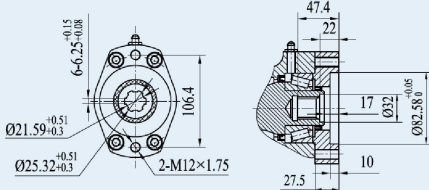
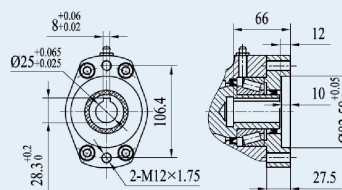
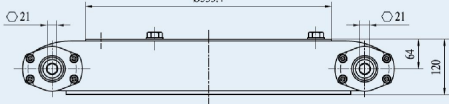
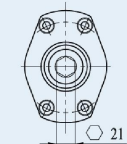
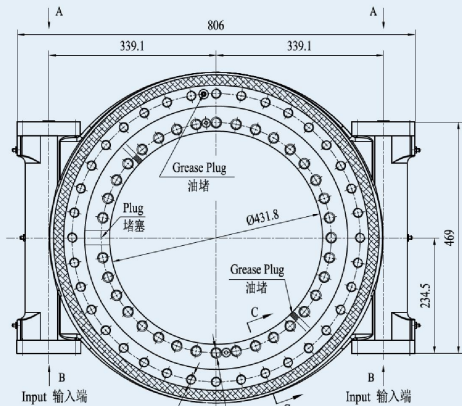
\* 选型时请确保实际载荷在曲线范围内  
PLEASEN BE SURE TO REMAIN UNDER THIS CURVE

\* 以上图纸仅供参考

The above drawings are for reference only.

SE21-2/S21-2 回转式减速器 slewing drive

UNITS:  
单位: mm  
1 inch = 25.4 mm



Ø12 Ø14 Ø16 Ø20 Ø25

■ NORMAL

6B SPLINE 花键

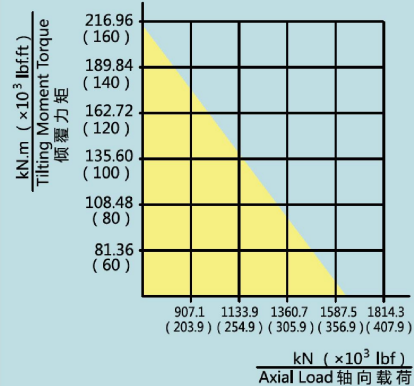
输入端允许在“A”向视图 “A” VIEW AS INPUT IS AVAILABLE  
可根据顾客要求进行非标设计 CUSTOMIZED UPON REQUESTS



SE21-2/S21-2 回转式减速器性能参数表  
slewing drive performance parameters

Data 参数 Model 类型	Output Torque 输出转矩	Tilting Moment Torque 倾覆力矩	Holding Torque 保持力矩	Static Axial Rating 轴向静载荷	Static Radial Rating 径向静载荷	Dynamic Axial Rating 轴向动载荷	Dynamic Radial Rating 径向动载荷	Gear Ratio 减速比	Tracking Precision 精度等级	Weight 重量
SE21 -2	20.6 kN.m 15194 lbf.ft	203 kN.m 150 × 10 <sup>3</sup> lbf.ft	179.9 kN.m 132.6 × 10 <sup>3</sup> lbf.ft	1598 kN 359 × 10 <sup>3</sup> lbf	640 kN 144 × 10 <sup>3</sup> lbf	385 kN 87 × 10 <sup>3</sup> lbf	335 kN 75 × 10 <sup>3</sup> lbf	125 : 1	≤ 0.15°	161kg
S21-2	20.6 kN.m 15194 lbf.ft	203 kN.m 150 × 10 <sup>3</sup> lbf.ft	179.9 kN.m 132.6 × 10 <sup>3</sup> lbf.ft	1598 kN 359 × 10 <sup>3</sup> lbf	640 kN 144 × 10 <sup>3</sup> lbf	385 kN 87 × 10 <sup>3</sup> lbf	335 kN 75 × 10 <sup>3</sup> lbf	125 : 1	≤ 0.15°	143kg

MOMENT LOAD CHART 承载力矩表  
Axial Load & Tilting Moment  
轴向载荷 & 倾覆力矩



⚠ 注意! NOTICE

\* 选型时请确保实际载荷在曲线范围内  
PLEASEN BE SURE TO REMAIN UNDER THIS CURVE

\* 以上图纸仅供参考  
The above drawings are for reference only.

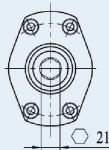
SE25-2/S25-2 回转式减速器 slewing drive

UNITS: mm  
单位: mm  
1 inch = 25.4 mm

VIEW A OPTION

A 向选项

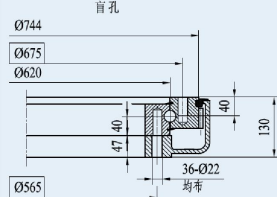
WITH HEX  
带六角头



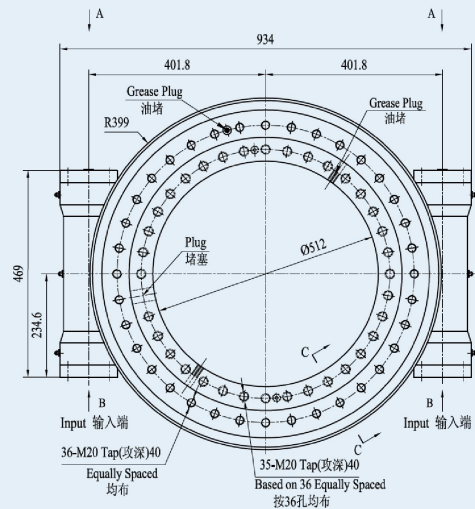
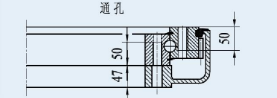
SECTION C

C 向剖视

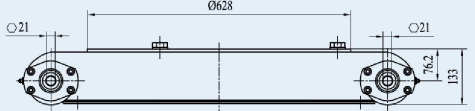
BLIND HOLE  
盲孔



THRU HOLE  
通孔

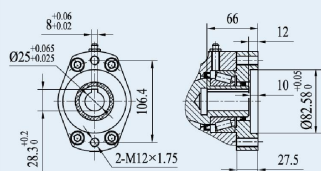


222kg



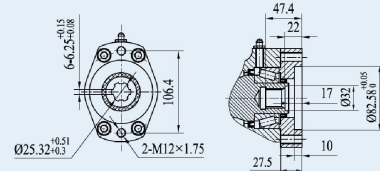
VIEW B OPTION

B 向选项



Ø12 Ø14 Ø16 Ø20 Ø25

■ NORMAL



6B SPLINE  
花键

输入端允许在“A”向视图 “A” VIEW AS INPUT IS AVAILABLE  
可根据顾客要求进行非标设计 CUSTOMIZED UPON REQUESTS

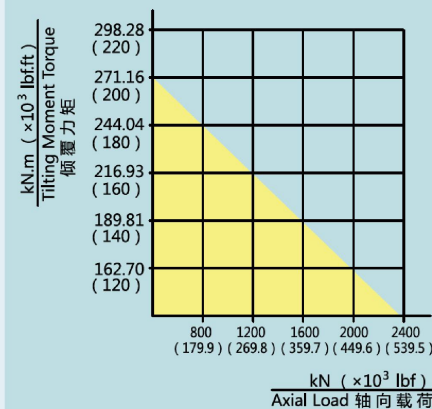


SE25-2/S25-2 回转式减速器性能参数表  
slewing drive performance parameters

Model 类型	Data 参数	Output Torque 输出转矩	Tilting Moment Torque 倾覆力矩	Holding Torque 保持力矩	Static Axial Rating 轴向静载荷	Static Radial Rating 径向静载荷	Dynamic Axial Rating 轴向动载荷	Dynamic Radial Rating 径向动载荷	Gear Ratio 减速比	Tracking Precision 精度等级	Weight 重量
SE25-2		28 kN.m	271 kN.m	269.1 kN.m	2360 kN	945 kN	590 kN	470 kN	150 : 1	≤ 0.15°	222kg
		20652 lbf.ft	200 × 10 <sup>3</sup> lbf.ft	198.9 × 10 <sup>3</sup> lbf.ft	531 × 10 <sup>3</sup> lbf	212 × 10 <sup>3</sup> lbf	133 × 10 <sup>3</sup> lbf	106 × 10 <sup>3</sup> lbf			
S25-2		28 kN.m	271 kN.m	269.1 kN.m	2360 kN	945 kN	590 kN	470 kN	150 : 1	≤ 0.15°	202kg
		20652 lbf.ft	200 × 10 <sup>3</sup> lbf.ft	198.9 × 10 <sup>3</sup> lbf.ft	531 × 10 <sup>3</sup> lbf	212 × 10 <sup>3</sup> lbf	133 × 10 <sup>3</sup> lbf	106 × 10 <sup>3</sup> lbf			

MOMENT LOAD CHART 承载力矩表

Axial Load & Tilting Moment  
轴向载荷 & 倾覆力矩



注意! NOTICE

\* 选型时请确保实际载荷在曲线范围内  
PLEASEN BE SURE TO REMAIN UNDER THIS CURVE

\* 以上图纸仅供参考  
The above drawings are for reference only.